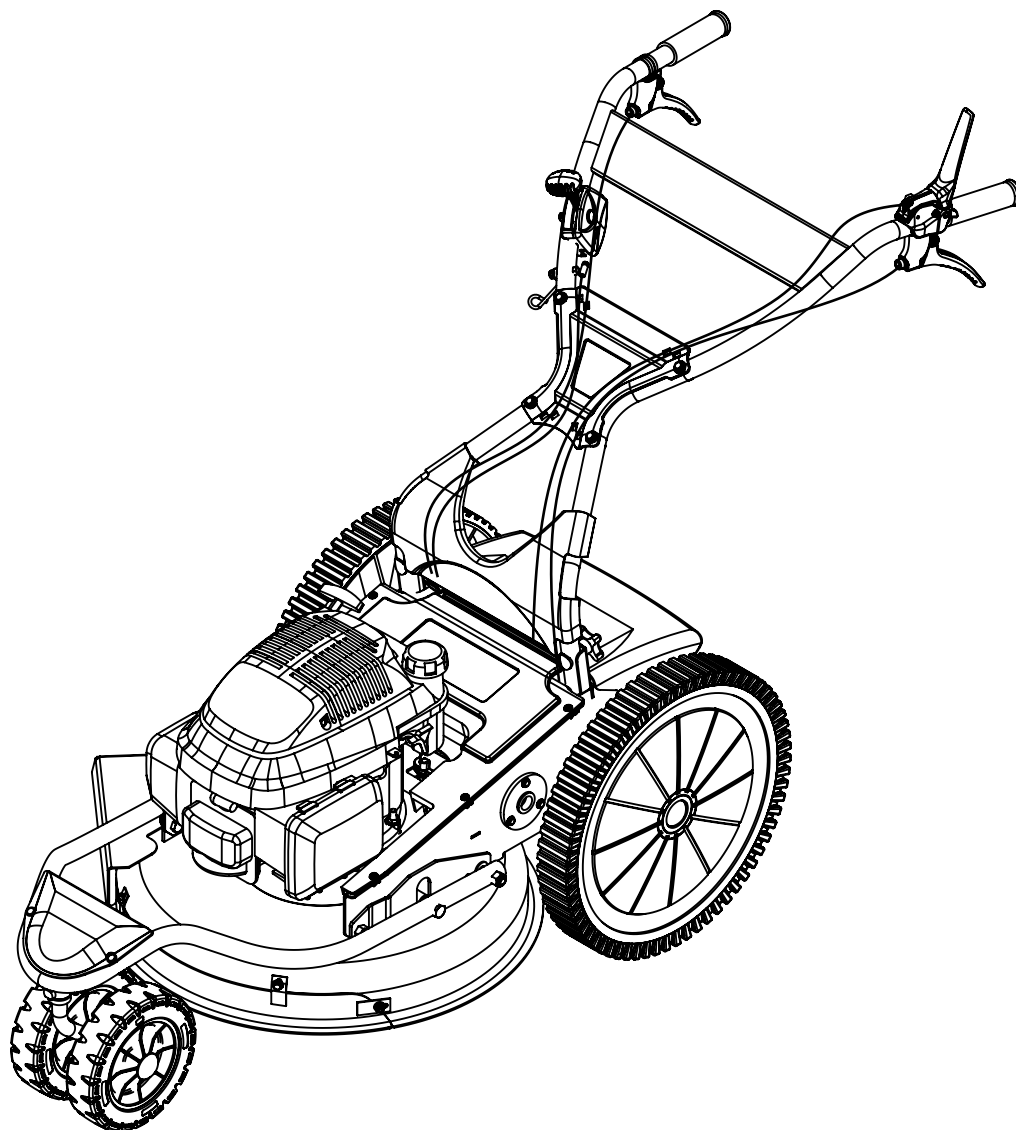
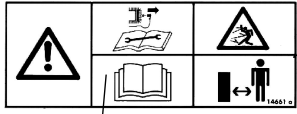


# Pièces de rechange Spare parts list

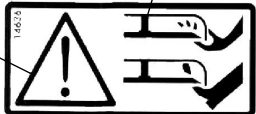
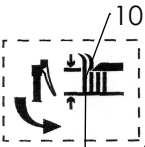
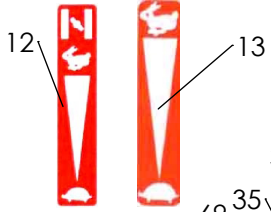
4000\*\*09\*\*



*DEBROUSSAILLEUSE  
BRUSHCUTTER*

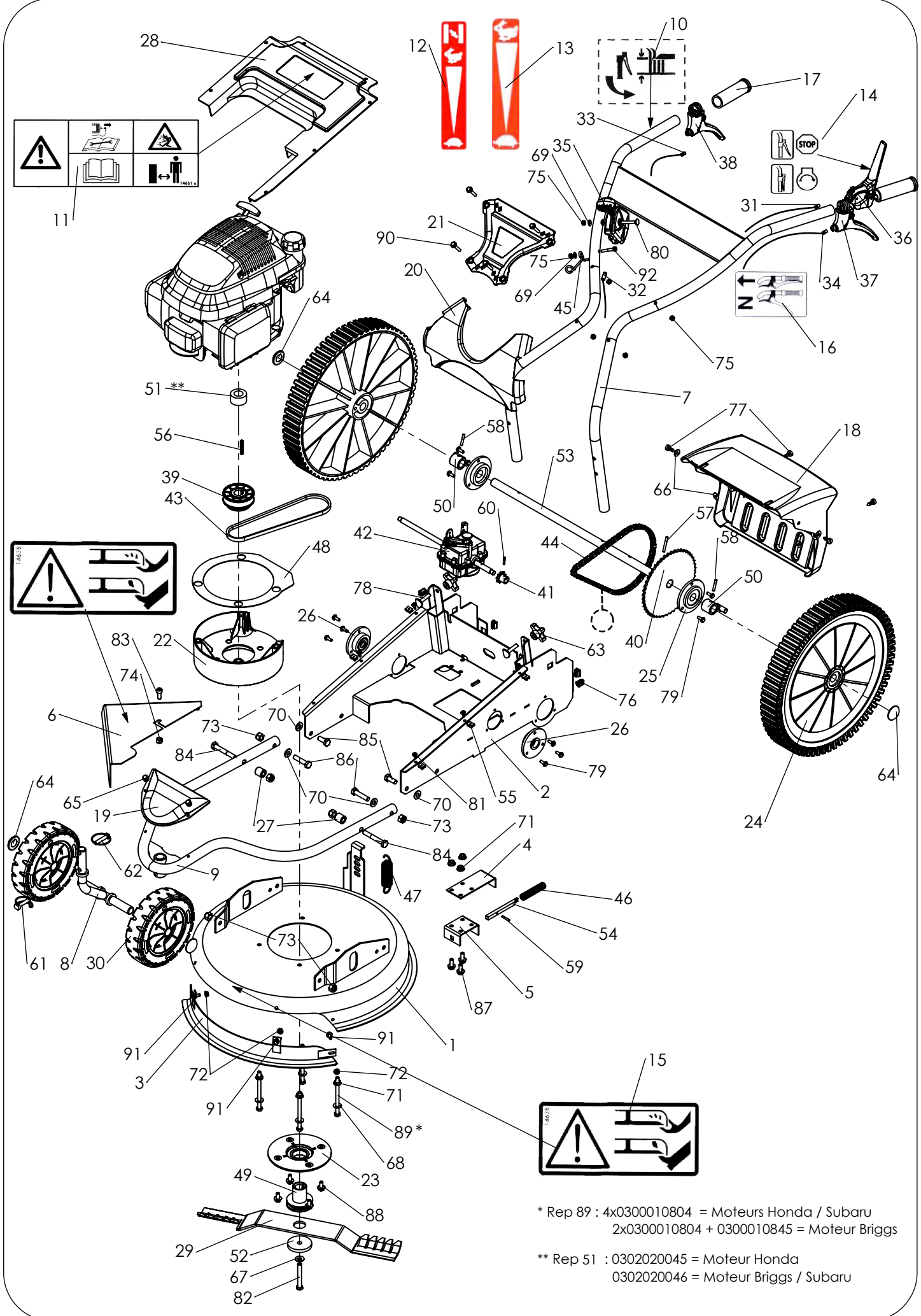


11



\* Rep 89 : 4x0300010804 = Moteurs Honda / Subaru  
 2x0300010804 + 0300010845 = Moteur Briggs

\*\* Rep 51 : 0302020045 = Moteur Honda  
 0302020046 = Moteur Briggs / Subaru



Rep N°	Ref.	Désignation	Description	Qte
1	4002063003	COUPELLE x DEB ECO V2 xG7015x	Grey RAL 7015 blade guard brushcutter	1
1	4002061303	COUPELLE x DEB ECO V2 x R3002	Red RAL 3002 Blade guard brushcutter	1
1	4002060503	COUPELLE x DEB ECO V2 x Gris 8120	Grey (8120) blade guard brushcutter	1
1	4002060303	COUPELLE x DEB ECO V2 x NOIR	Black blade guard brushcutter	1
1	4002052703	COUPELLE xDEB ECO V2x Gris 7040x	Grey RAL 7040 blade guard brushcutter	1
2	4002091301	CHASSIS ARRIERE DEB D1001 ROUGE RAL3002	BACK FRAME D1001 RED RAL3002	1
2	4002092301	CHASSIS ARRIERE DEB D1001 BLEU RALP301	BACK FRAME D1001 BLUE RALP301	1
2	4002092401	CHASSIS ARRIERE DEB D1001 ORANGE RAL2004	BACK FRAME D1001 ORANGE RAL2004	1
2	4002091701	CHASSIS ARRIERE DEB D1001 JAUNE RAL1028	BACK FRAME D1001 WELLOW RAL1028	1
2	4002092001	CHASSIS ARRIERE DEB D1001 VERT RAL6029	BACK FRAME D1001 GREEN RAL6029	1
3	4002000505	DEFLECTEUR AVANT E51 Gris (8120)	Grey (8120) Front deflector	1
3	4002000305	DEFLECTEUR AVANT E51 Noir RAL 9005	Black Front deflector	1
3	4002001305	DEFLECTEUR AVANT E51 Rouge RAL 3002	Red RAL 3002 Front deflector	1
3	4002001802	DEFLECTEUR AVANT E51 Vert RAL 6005	Green RAL 6005 Front deflector	2
3	4002002705	DEFLECTEUR AVANT E51 Gris RAL 7040	Grey RAL 7040 Front deflector	1
3	4002003005	DEFLECTEUR AVANT E51 Gris RAL 7015	Grey RAL 7015 Front deflector	1
4	4002040104	SUPP VEROUILLAGE RELEVAGE ECO-03 NOIR	Support locking raising	1
5	4002000102	SUPP AXE RELEVAGEE51-03xBICHx	Locking pin support	1
6	4002000504	DEFLECTEUR LATERAL E51 Gris (8120)	Grey (8120) Side deflector	1
6	4002000307	DEFLECTEUR LATERAL E51 Noir	Black RAL 9005 side deflector	1
6	4002001307	DEFLECTEUR LATERAL E51 Rouge RAL 3002	Red RAL 3002 Side deflector	1
6	4002002708	DEFLECTEUR LATERAL E51 Gris RAL 7040	Grey RAL 7040 Side deflector	1
6	4002003007	DEFLECTEUR LATERAL E51 Gris RAL 7015	Grey RAL 7015 Side deflector	1
7	4002090302	GUIDON DEB D1001 NOIR RAL9005	Black handlebar D1001	1
7	4002090502	GUIDON DEB D1001 Gris (8120)	Grey (8120) handlebar D1001	1
8	4002000308	SUPP ROUE DOUBLE AVANT	DOUBLE FRONT WHEEL SUPPORT	1
9	4002090303	CHASSIS AVANT PIV D1001 NOIR RAL9005	ROTATIVE FRONT FRAME D1001 BLACK RAL9005	1
10	0503000055	ETIQ REGL HAUT COUP xFST-XTRMx	Height cutting label	1
11	0503000049	PRECAUTIONS D'EMPLOI 65 X 175	Safety instructions label	1
12	0503000044	ETIQ. GAZ HONDA GCV135/160 UM516 C	Label throttle control GCV	1
13	0503000043	ETIQ. GAZ (SS STOP)VERS PNEUM DIM 42X11	Label throttle control without stop	1
14	0503000026	ETIQ MANETTE COUPE CIRCUIT	Engine brake label	1
15	0503000006	AUTO-COLLANT DANGER LAME 78 X	Label "danger sticker"	1
16	0503000002	AUTO-COLLANT EMBRAY DEBRAY M Av	Forward movement stricker	1
17	0341000037	POIGNEE PLASTIQUE DIAM 25 CB	HAND SIDE GRIP	2
18	0340030061	CAPOT ARRIERE D1001 VERT RAL6029	BACK COVER D1001 VERT RAL6029	2
18	0340030058	CAPOT ARRIERE D1001 BLEU RAL5010	BACK COVER D1001 BLUE RAL5010	1
18	0340030057	CAPOT ARRIERE D1001 ORANGE RAL2009	BACK COVER D1001 ORANGE RAL2009	1
18	0340030047	CAPOT ARRIERE D1001 ROUGE RAL3001	BACK COVER D1001 RED RAL3001	1
19	0340030059	CAPOT CHASSIS AVANT D1001 ROUGE RAL3001	FRONT FRAME COVER D1001 RED RAL3001	1
19	0340030054	CAPOT CHASSIS AVANT D1001 BLEU RAL5010	FRONT FRAME COVER D1001 BLUE RAL5010	1
19	0340030053	CAPOT CHASSIS AVANT D1001 ORANGE RAL2009	FRONT FRAME COVER D1001 ORANGE RAL2009	1
19	0340030052	CAPOT CHASSIS AVANT D1001 ROUGE RAL3001	FRONT FRAME COVER D1001 RED RAL3001	1
20	0340030056	CAPOT INFERIEUR GUIDON D1001 BLEU RAL5010	HANDLEBAR CENTRAL COVER D1001 BLUE RAL5010	1
20	0340030055	CAPOT INFERIEUR GUIDON D1001 ORANGE RAL2009	HANDLEBAR CENTRAL COVER D1001 ORANGE RAL2009	1
20	0340030048	CAPOT INFERIEUR GUIDON D1001 ROUGE RAL3001	HANDLEBAR LOWER COVER D1001 RED RAL3001	1
20	0340030060	CAPOT INFERIEUR GUIDON D1001 VERT RAL6029	HANDLEBAR LOWER COVER D1001 GREEN RAL6029	1
21	0340030049	CACHE CENTRAL GUIDON D1001 NOIR RAL9005	HANDLEBAR CENTRAL COVER D1001 BLACK RAL9005	1
22	0340030034	REHAUSSE MOTEUR XTREM-FIRST	Plastic engine raiser	1
23	0340030028	PALIER COUPELLE XTREM/FIRST	Flange bearing	1
24	0340030019	ROUE DIAM 420 xROUGEx3001	red rear wheel Ø420	1
24	0340030018	ROUE DIAM 420 xORANGEx RAL2009	Orange rear wheel Ø420	1
24	0340030017	ROUE DIAM 420 xNOIRx	Black rear wheel Ø420	1
24	0340030016	ROUE DIAM 420 xJAUNE P116	Yellow P116 rear wheel Ø420	1
24	0340030015	ROUE DIAM 420 xGRISx RAL 7012	Grey RAL 7012 rear wheel Ø420	2
25	0340030013	PALIER ARBRE ROUE DIAM 20	Wheel flange bearing	2
26	0340030012	PALIER ARBRE INTERMEDIAIRE xDEB ECOx	Countershaft bearing Ø10 Deb	2
27	0340030010	ENTRETOISE COUP E51 10.5x20 LG21 PA6.6	Blade guard spacer E51	2
28	0340030001	CAPOT MOTEUR FIRST	Black motor bonnet	1
29	0320020006	LAME LG 510 DEP 30 E51 PROv2	Blade	1
30	0309000033	ROUE RT DIAM200 ALS 20	RT wheel Ø200 bore 20	2
31	0308050015	CABLE FREIN MOT LG1185 CF55 MANETTE LASC EMBOUT CLIP	ENGINE BRAKE CABLE LG1185 S55 LASC LEVER CLIP END	1
32	0308040050	CABLE GAZ x1050 xLF60 Z0° MANETTE LGC	Throttle cable Lg 1050mm stroke 60mm	1
33	0308030008	CABLE REGL HAUT LG1180 CF81 MAN LAB EMBOUT CLIP COUDE 135°	HEIGHT SET CABLE LG1180 S81 LAB LEVER 135° CURVED END	1
34	0308020062	CABLE EMBRAYAGE LG1210 CF138 MANETTE LAB EMBOUT METALLIQUE	Clutch cable	1
35	0307020023	MANETTE GAZ LGC POMMEAU NOIR RAL9005	THROTTLE LEVER LGC BLACK KNOB RAL9005	1
36	0307010023	LEVIER FREIN MOTEUR LASC 05 R 00 Course 20 Guidon 25mm	Brake lever LASC Ø25 stroke 20mm	1
37	0307010021	LEVIER EMB LAB D7 B01 Course 30 Guidon D25mm	LEVER LAB D25 STROKE 30 Handlebar D25mm	1
38	0307010020	LEVIER EMB LAB C7 B01 Course 25 Guidon D25mm	LEVER LAB D25 STROKE 25 Handlebar D25mm	1
39	0306060014	POULIE MOTEUR VARIATRICE D22.2 FLASQUE MOBILE ALU	Variation motor pulley Ø22.2	1
40	0306050029	PIGNON 60 DENTS 9.525 alés 20mm	Pinion 60 teeth 9.525 x 5.3	1

Rep N°	Ref.	Désignation	Description	Qte
41	0306050028	PIGNON 9 DENTS 9.525 alés 12mm	Sprocket 9 teeth 9.525 x 5.3	1
42	0306040012	REDUCTEUR x DEB ECO V2-06 x Type 4002	Reduction gearbox 4002 brushcutter	1
43	0306030048	COUROIE 6207MC x DEB ECO V2	Fanbelt 6207 MC Gates	1
44	0306020020	CHAINE ISO 06B-1 pas 9.525mm 75 maillons +MCS à goupille mo	Chain ISO 06B-1 pitch 9.525 75 links +offset link + connecting links	1
45	0305030001	ACCROCHE LANCEUR xE51-03x	Starter Hook	1
46	0305020001	RESSORT CP 13,4x75 16/10	Locking spring	1
47	0305010009	RESSORT TR RELEVAGE E51 35/10	High adjustment spring	1
48	0304000313	REHAUSSE MOTEUR EP1.5 D1001	Engine upstand th. 1.5mm	1
49	0302030047	MOYEU LAME E51ProV2	Blade hub	1
50	0302030014	MOYEU ROUE INTERIEUR xE51x	Wheel hub E51	2
51	0302020045	ENTRETOISE 40x22x22 Moteur GCV E51ProV2	Spacer 40 x 22 x 22 (GCV)	1
52	0302020042	RONDELLE DE SERRAGE E 51	Blade washer	1
53	0302010091	ARBRE ROUE x DEB ECO V2	Wheel shaft Deb ECO V2	1
54	0302010030	AXE RELEVAGE xE51-03xBICHx	Locking pin	1
55	0301050001	CLIPS PRESTOLE Z/VIS 4.2 EP 4	CLIPS 4.2	5
56	0301040001	CLAVETTE 4.76X4.76X 40 BTS DRO TOL h 9 - XC 48	KEY 4.76X4.76X40 DRO TOL h 9 - XC 48	1
57	0301020005	GOUPILLE HBK 5x40	Pin Ø5x40 HBK	1
58	0301020004	GOUPILLE HBK 5x30 ISO 8748ST	Pin Ø5x30 HBK	2
59	0301020002	GOUPILLE HBK 4x24	Cotter-pin 4x24 HBK	1
60	0301020001	GOUPILLE HBK 4x20 ISO 8748ST	Pin Ø4x20 HBK	1
61	0301010013	GOUPILLE CLIPS 8 x 36	CLIP PIN D8 x 36	1
62	0301010009	GOUPILLE CLIPS 8X42 ZING	Cotter-pin	1
63	0300800801	POIGNEE SERRAGE 4 BRANCHES 50 NOIR M8 FEMELLE DEBOUCHANT	TIGHTENING HANDLE 50 BLACK M8 FEMALE	2
64	0300702001	ENJOLIVEUR DIAM 20 CAB 20/38	Trim stopper Ø20	4
65	0300500501	RIVET AC AL4.8x16 TETE PLATE NOIR	RIVET AC AL4.8x16 FLAT HEAD BLACK	2
66	0300470501	RONDELLE NOIR PA6.6 QUICKLOCK SERIE60	BLACK PA6.6 WASHER QUICKLOCK SERIE60	4
67	0300431001	RONDELLE CONTACT 10 BIC NFE 25-511	Elastic washer 10 Bic	1
68	0300430801	RONDELLE CONTACT M8 NF E 25511	CONTACT WASHER 8	4
69	0300430601	RONDELLE CONTACT 6 BIC NFE 25-511	CONTACT WASHER 6	3
70	0300401002	RONDELLE PLATE M 10X22X2 Z NFE 27611	PLATE WASHER M 10X22X2 Z NFE 27611	4
71	0300260801	ECROU HM 8 ZEMB CR DIN 6923-8	NUT H M8 Z NOTCHED SHOULDER	7
72	0300260601	ECROU HM 6 ZEMB CR DIN 6923	NUT H M6 Z NOTCHED SHOULDER	3
73	0300211001	ECROU FREIN M 10 Z DIN 985/8	BLOCKING NUT M 10 Z	6
74	0300210802	ECROU FREIN M 8 Z DIN 985/8	BLOCKING NUT HM 8 Z DIN 985/8	1
75	0300210602	ECROU FREIN M 6 Z DIN 985-8	BLOCKING NUT M 6 Z	7
76	0300130502	ECROU ACIER 14x16 POUR VIS IMP QUICKLOCK SERIE60	STEEL NUT 14X16 QUICKLOCK SERIE60	4
77	0300130501	VIS PLAST IMP 1/4 TR D16 H5 d5 QUICKLOCK SERIE60	CAPTIVE PLASTIC SCREW 1/4TR QUICKLOCK SERIE60	4
78	0300090802	VIS M8x40 Z TETE EMBOUTIE	Screw M8x40 Z forged head bolt	2
79	0300090602	VIS AUTOTAR TH A EMB 6 X 16 Z	Screw HM6x16 z Self-tapping	12
80	0300080610	VIS TRCC 6 X 45/20 Z Din603	SCREW TBCC M6X45 Z	1
81	0300080405	VIS TOLE TETE POELIER D11 POZI Cr 4.2X16 Z	SCREW POZI 4.2X16Z	5
82	0300060304	VIS 3/8 TH24 UNF Lg 70 Z	Screw 3/8 TH24 UNF Lg70	1
83	0300020804	VIS CHC 8 X 20 Z	Screw CHC M8x20 z	1
84	0300011011	VIS H 10X70/26 Z DIN 931/6.8	Screw H M10x70 z	2
85	0300011008	VIS H 10 X25 Z DIN 933/8/8	Screw H M10x25 z	2
86	0300011005	VIS H 10 X 45 Z DIN 933/6.8	SCREW H 10 X 45 Z DIN 933/6.8	2
87	0300010816	VIS H 8x20 Z EMB CR	SCREW H M8X20 Z NOTCHED SHOULDER CL 8.8	3
88	0300010815	VIS H 8x16 Z EMB CR DIN 6921 CL 6.8	SCREW H M8X16 Z NOTCHED SHOULDER CL 6.8	4
89	0300010804	VIS HM8x110/22Z ISO 4014 CL8.8	Screw HM 8x110 z	4
90	0300010621	VIS H 6x45 Z EMB CR DIN 6921	SCREW H 6x45 Z DIN 6921 NOTCHED SHOULDER CL 6.8	4
91	0300010609	VIS H 6x16 Z EMB CR DIN 6921	SCREW HM 6X16 Z NOTCHED SHOULD	3
92	0300010604	VIS H 6 X 35 Z NFE 24017 CL6.8	Screw HM6x35z	1